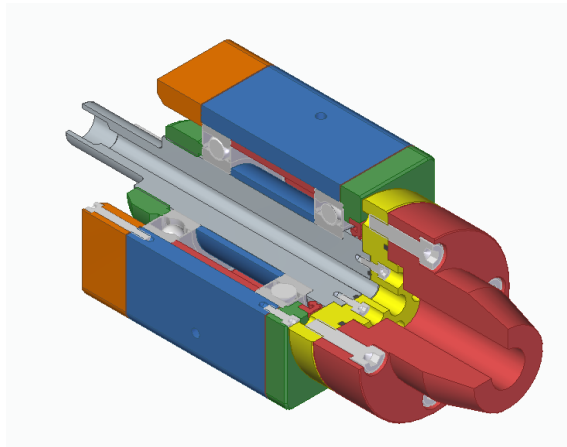




Precision Manufacturing and Equipment (PME) provides prototyping service to the customer in need of product development, low volume production, and production ramping up.

The success of development or product comes from concept, design, planning, and building a successful prototype. A good idea and design will only be successful if it becomes a working prototype. The challenges of making the first one and managing the cost of prototyping can easily overwhelm people with great ideas. Many of those great ideas died of defective or costly prototyping effort.



PME has a dedicated metal manufacturing facility and imaging development lab at Troy NY. In addition, PME has access to small to high volume manufacturing resources in Singapore and China. We do all service with guarantee of quality and fast lead time.

On the development side, PME has extensive design and development experience in optics fabrication, opto-mechanical system, machine design, automation, and software development.

Precision Manufacturing and Equipment Inc
165 Jordan Road, Suite #3
Troy, NY 12180
Contact: Kai Xin
Tell: (518) 867-7421
Email: kai@kai-eng.com
Web: www.precision-me.com

